

Padlocks - High Security

SH50BO / SH50SO

High Security Padlocks



ASSA ABLOY

Application:

- Perimeter security/gates
- Outbuildings
- Warehouse/workshops
- Securing portable industrial equipment

Specification:

- 55mm Open Shackle
- Key operation to lock and unlock
- Key retention upon unlocking
- High-security padlock
- Open shackle design
- Double ball locking
- Body Width: 55mm
- Body Material: B - Brass or S Hardened Steel
- Shackle Material: Hardened boron steel
- Cylinder System: Models suitable for 5-pin, 6-pin, DTEC and KeyULTRA. Can also be supplied sub assembled (KT) minus plug and keys for assembly by DTEC Centres
- Keying Groups: May be supplied standard differ, keyed alike, keyed to pass or masterkeyed. 5 & 6 pin supplied with 3 steel nickel plated keys. DTEC keys supplied separately - please specify quantity of DTEC keys required when ordering KeyULTRA supplied with 2 nickel silver keys
- Key Blank: Dependant on key section required



Standards:

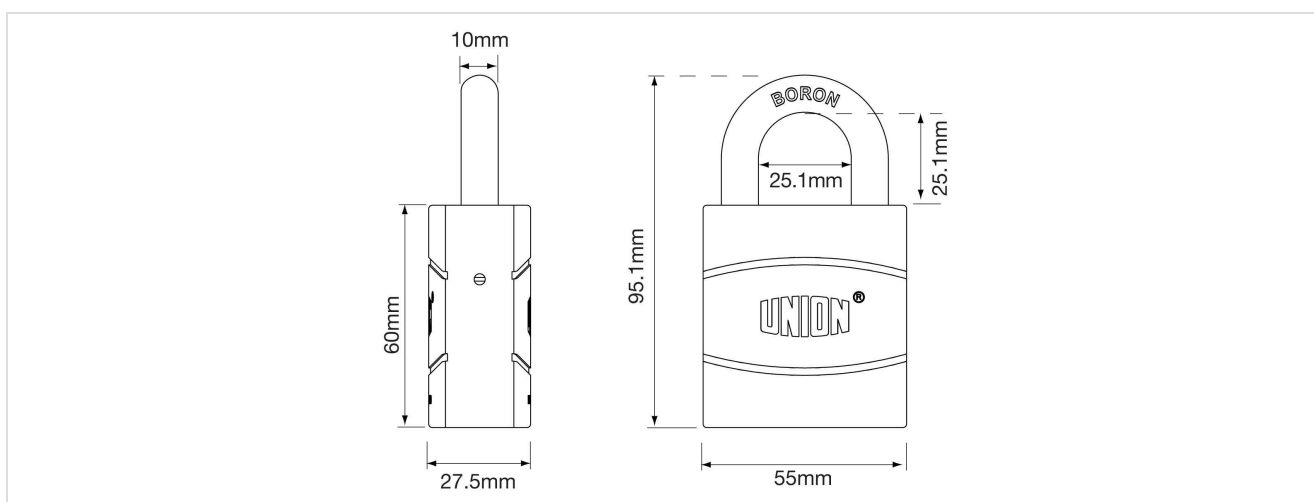
- EN12320 - see matrix for classification
- EN1670 - 240 hours neutral salt spray test
- Sold Secure - see matrix for classification

Finish:

- Mirror chrome plated



Technical Design:



Padlocks - High Security

SH50BO / SH50SO

High Security Padlocks



ASSA ABLOY

Variants:

Code	Description
J-SH50BO-5P	5-Pin Open Shackle Padlock, 55mm Brass
J-SH50BO-6P	6-Pin Open Shackle Padlock, 55mm Brass
J-SH50BO-KU	KeyULTRA Open Shackle Padlock, 55mm Brass
J-SH50BO-DT	DTEC Open Shackle Padlock, 55mm Brass
J-SH50SO-5P	5-Pin Open Shackle Padlock, 55mm Steel
J-SH50SO-6P	6-Pin Open Shackle Padlock, 55mm Steel
J-SH50SO-DT	DTEC Open Shackle Padlock, 55mm Steel
J-SH50SO-KU	KeyULTRA Open Shackle Padlock, 55mm Steel